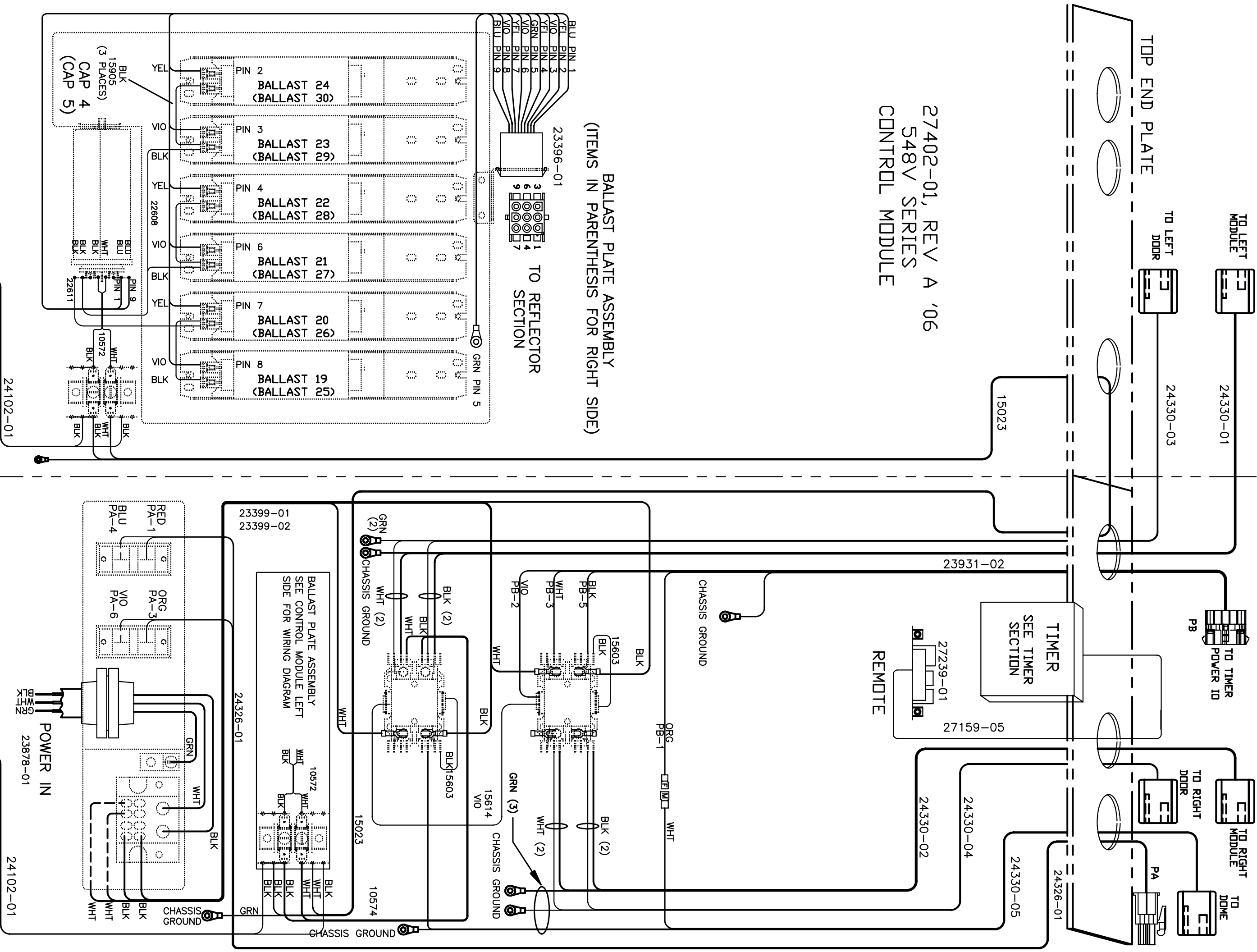
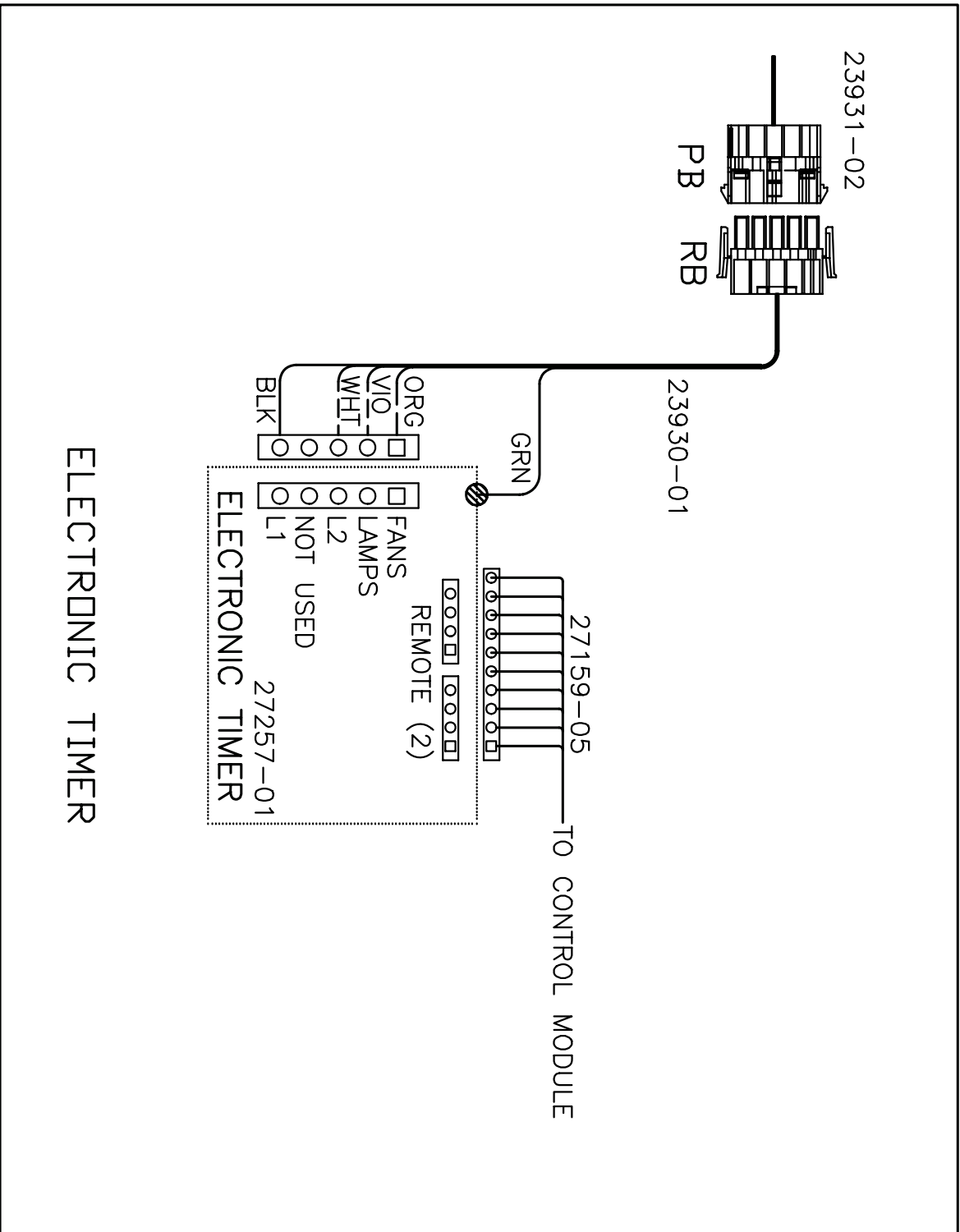


27402-01, REV A '06
548V SERIES
CONTROL MODULE

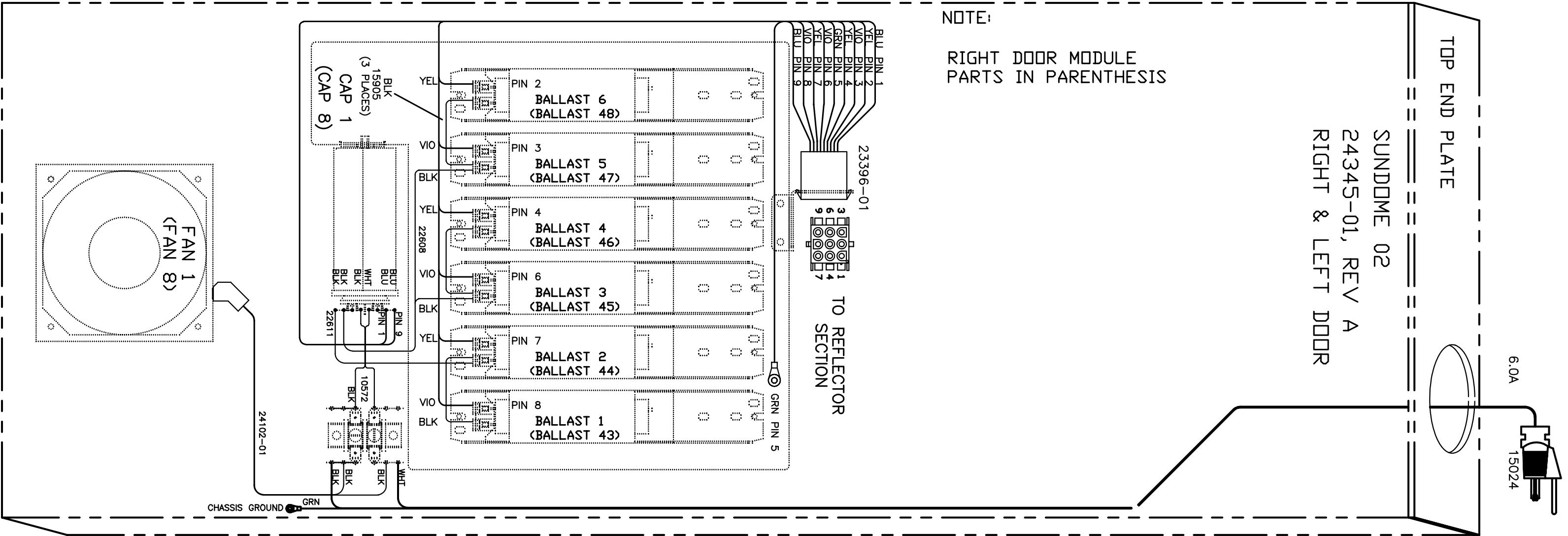


WARNING: ALTERING THE DESIGN, TIMER SYSTEM, OR WIRING FROM THAT SHOWN
HEREIN, WILL VOID THE WARRANTY, AND MAY RESULT IN A VIOLATION
OF FEDERAL LAW.



27402-01, REV A '06
548V SERIES
MISCELLANEDOUS DIAGRAMS

SUNDOME
 LEFT DOOR MODULE
 (RIGHT DOOR MODULE)

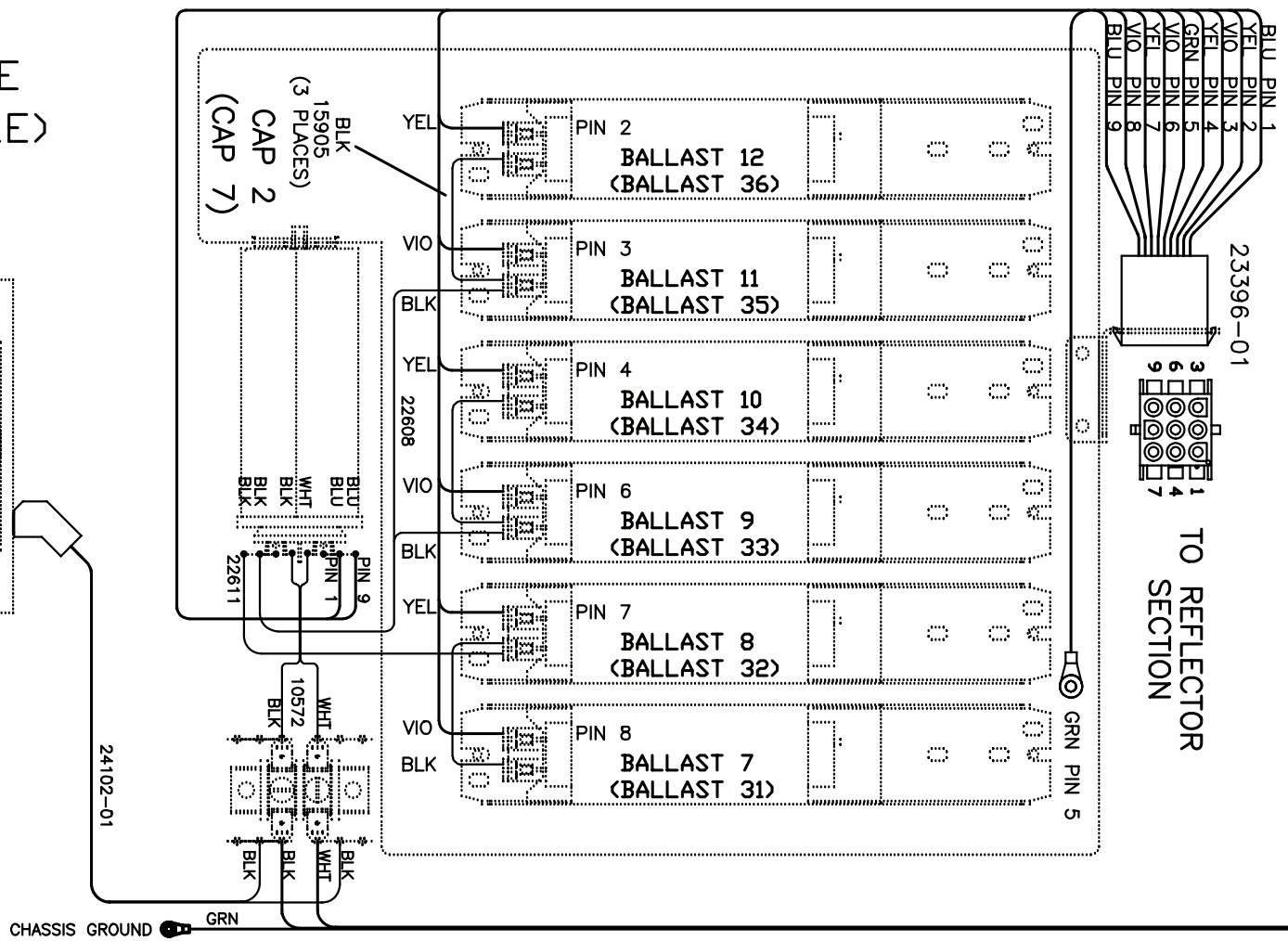
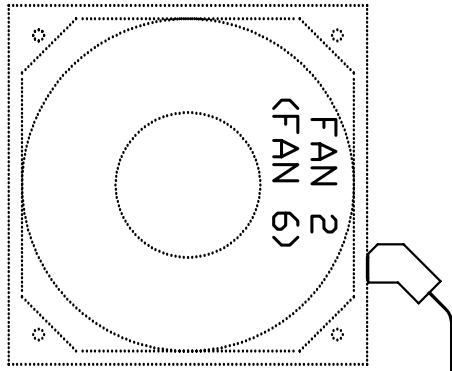


NOTE:
 RIGHT DOOR MODULE
 PARTS IN PARENTHESIS

TOP END PLATE
 SUNDOME 02
 24345-01, REV A
 RIGHT & LEFT DOOR

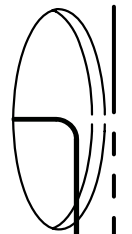
WARNING: ALTERING THE DESIGN, TIMER SYSTEM, OR WIRING FROM THAT SHOWN HEREIN, WILL VOID THE WARRANTY, AND MAY RESULT IN A VIOLATION OF FEDERAL LAW.

SUNDOME
LEFT MODULE
(RIGHT MODULE)



NOTE:
RIGHT MODULE PARTS IN PARENTHESIS

TOP END PLATE

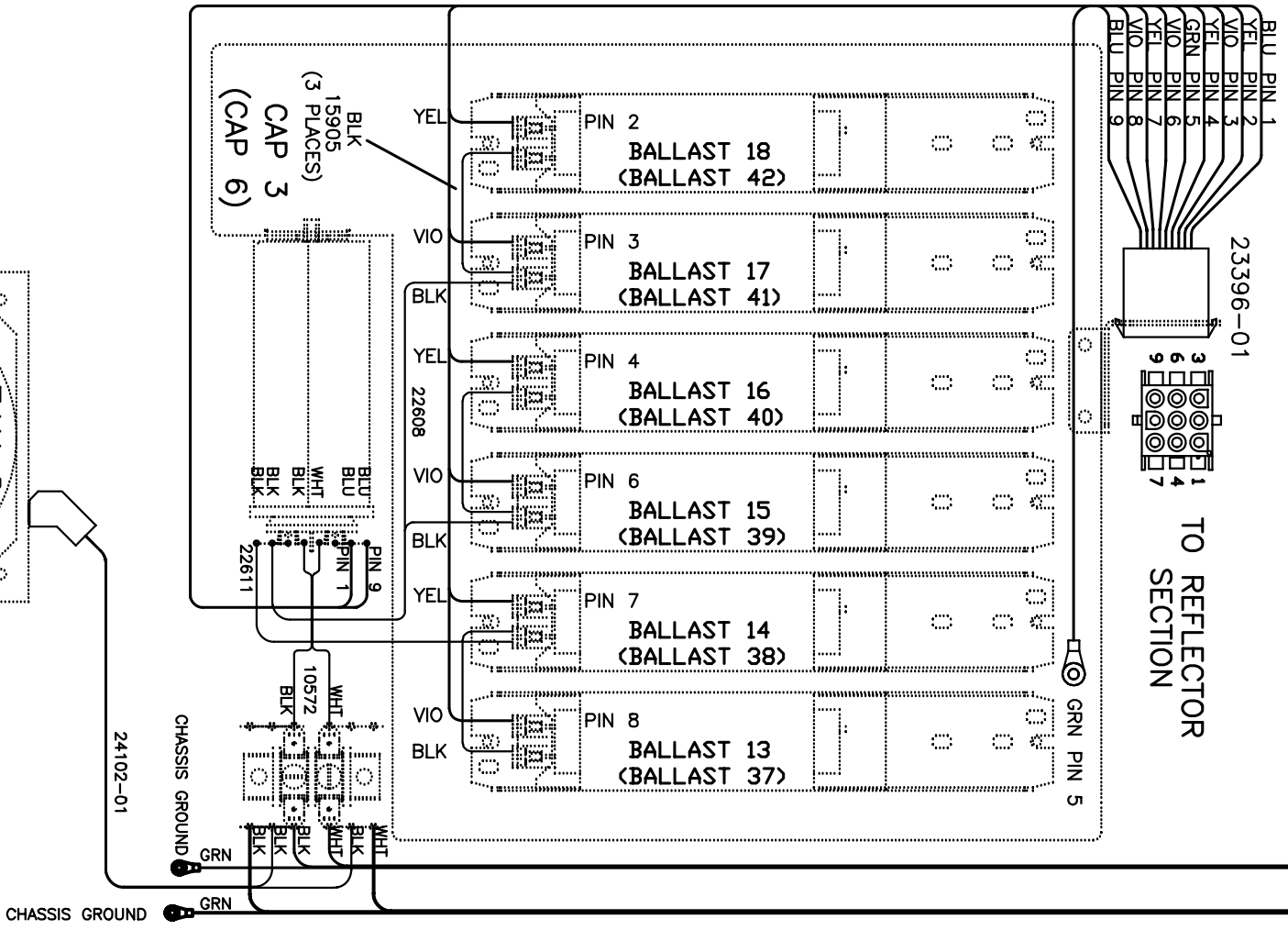
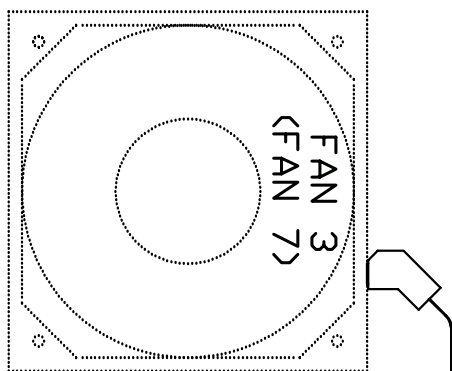


SUNDOME 02
24345-01, REV A
RIGHT & LEFT MODULE

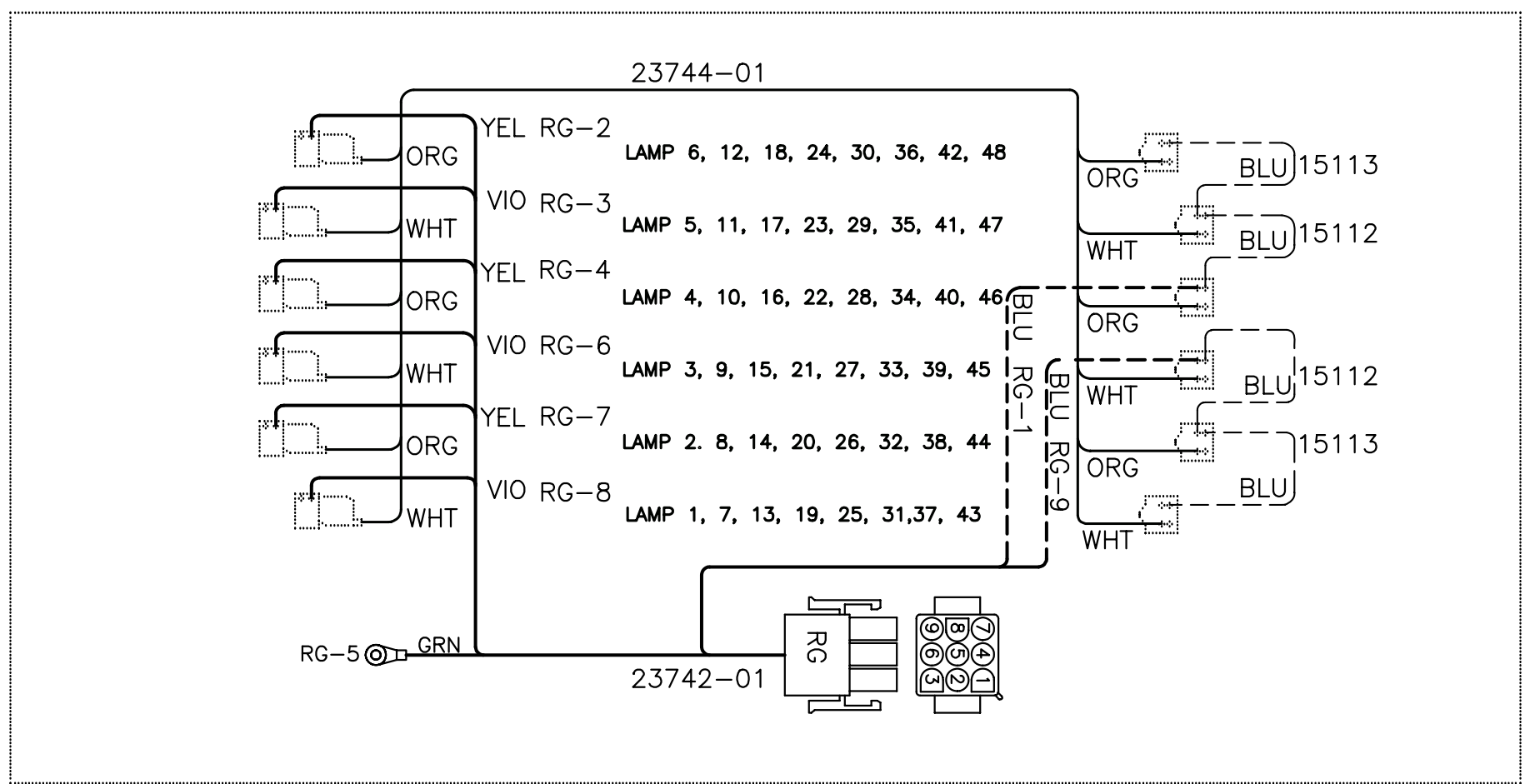
15023 6.0A

12.0A

15022

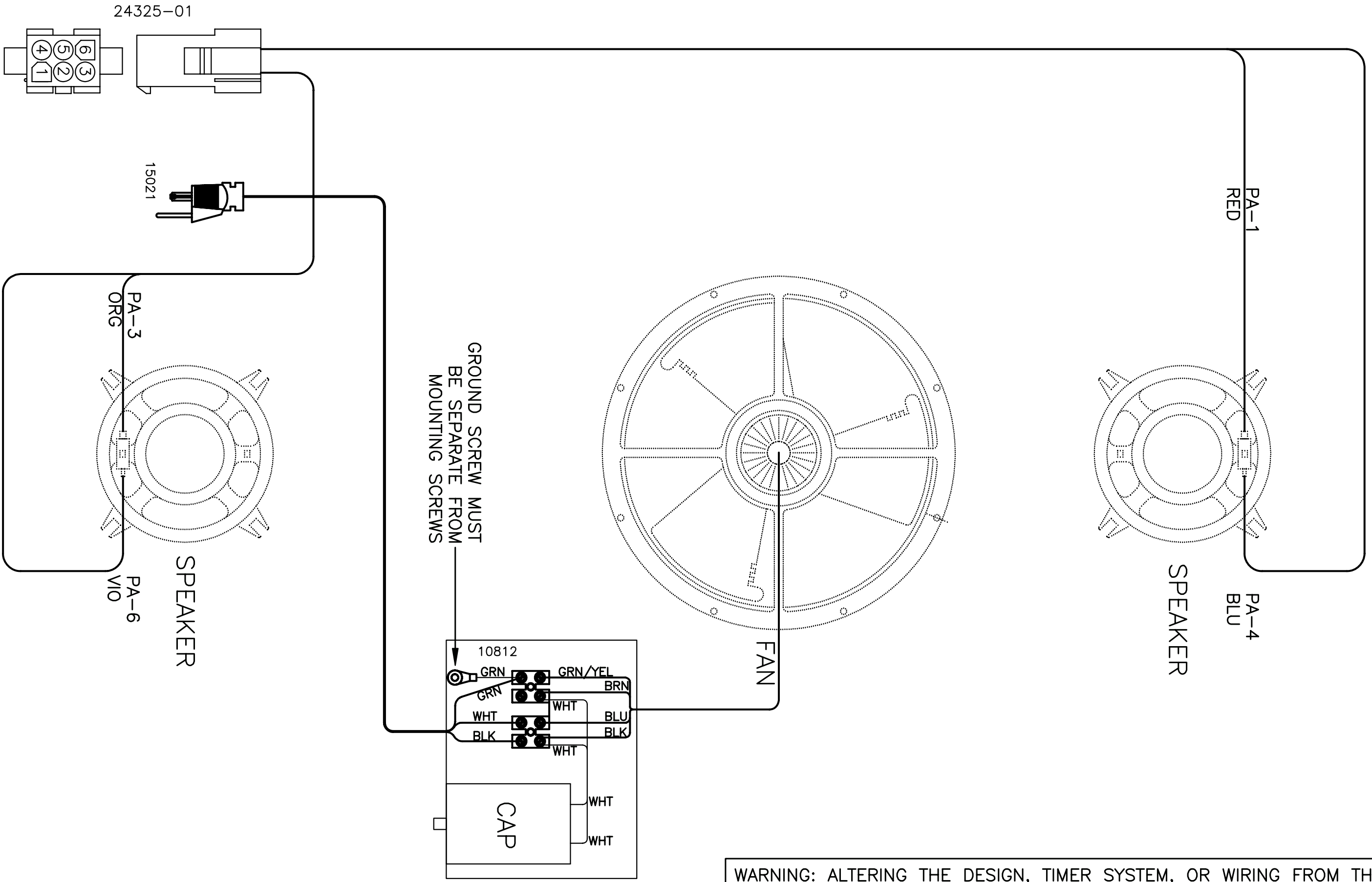


REFLECTOR SECTION (8)



NOTES:

1. LAMP 1 IS THE LEFT MOST LAMP LOOKING AT THE FRONT OF THE SUNDOME UNIT. LAMP 48 IS THE RIGHT MOST LAMP.



WARNING: ALTERING THE DESIGN, TIMER SYSTEM, OR WIRING FROM THAT SHOWN HEREIN, WILL VOID THE WARRANTY, AND MAY RESULT IN A VIOLATION OF FEDERAL LAW.